



### Benefits

- Microprocessor controlled interface between your Meridian Digital Terminal (M2000 or M7000 series sets) and most industrial recording devices
- Compatible with Meridian 1 and SL1 PBXs, and Norstar Key Systems
- Converts digital telephone signaling to analog recording requirements
- Each MRI-320 will allow you to record conversations on up to four Meridian Digital Terminals
- You can select any line or group of lines on your Meridian Digital Terminal and add-on module to be recorded
- Diagnostic control and self testing
- Operates both contact and VOX controlled recording devices
- Contact closure available to indicate alarm condition
- Audio gain adjust to compensate for low or high volume input and equipment deficiencies
- May be installed up to 500 feet from the Norstar, Meridian 1 or SL1 switch, or digital terminal
- Can be rack mounted or installed on a backboard in telephone closet

The Meridian recording interface allows you to record your telephone conversations on Meridian Digital Terminals (M2000 and M7000 series sets) on Meridian 1™ and SL1 PBXs and on Norstar™ Key Systems. Each MRI-320 will handle up to four Meridian Digital Terminals and is compatible with most industry standard recording devices, both contact and VOX controlled.

### Costs less than the competition!

Recording telephone conversations is now more affordable than ever. With the MRI you can justify more recorded desktops. This means better customer service, reduced litigation costs and fewer dispatch errors.

### Better than the competition!

Dees' twenty one years experience in designing telecommunications solutions for major telephone companies and end users across North America and our formal relationship with Northern Telecom have combined to create a robust and feature rich product.

### Exclusive enhanced features

**Individual line selection** . . . select the lines you wish to record, line by line, on your Meridian Digital Terminal and add-on module.

**Audio gain adjustment** . . . to insure that your calls will be recorded regardless of volume levels or equipment deficiencies.

**No false triggers** . . . the MRI validates the request to record in two ways. It looks for a voice path signal from the telephone system and the presence of voice.

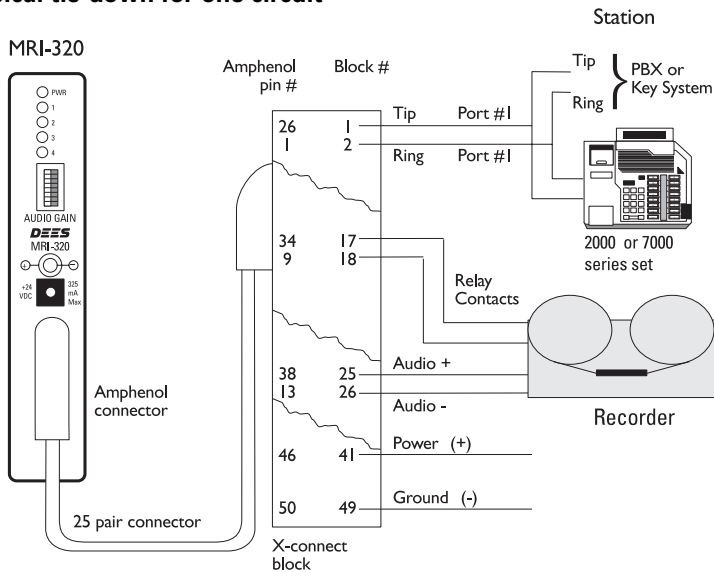
**Diagnostic control and self testing** . . . are indicated by five LEDs on the front panel of the unit. These LEDs indicate the status of the MRI so that you will know when a line is being recorded or even when there is an alarm condition. This can also be enunciated on a remote control panel.

**Simple installation** . . . wall or rack mounted (no special card cage required).

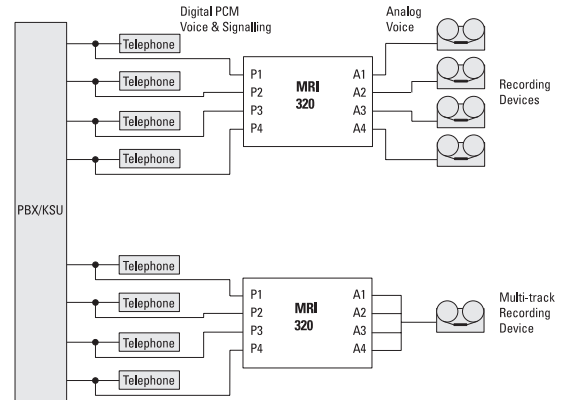
### Application

The MRI is perfectly suited to those companies and institutions that have to record their calls. It's ideal for banks, insurance companies, government agencies, legal offices, universities, hospital groups, ACD 911, fire departments and police departments. The MRI will take care of recording every call placed on your selected lines.

## Typical tie-down for one circuit



## Installation



## Specifications

|  | Min | Typical | Max | Unit |
|--|-----|---------|-----|------|
| <b>Electrical</b>                                  |     |         |     |      |
| Supply Voltage                                     | 18  | 24      | 28  | VDC  |
| Supply Current                                     |     |         | 325 | mA   |
| Line Input Impedance                               | 1   |         |     | Mohm |
| Relay Contact Rating                               |     |         | 10  | VA   |
| <b>Timing</b>                                      |     |         |     |      |
| Audio Response Times                               |     |         |     |      |
| Off-hook to audio on delay                         |     |         | 1   | Sec  |
| On-hook to audio off delay                         |     |         | 1   | Sec  |
| Time out to turn off audio due to absence of voice | 10  |         |     | Sec  |
| Time out to declare line fault and reset port      | 15  |         |     | Sec  |
| <b>Audio Output</b>                                |     |         |     |      |
| Gain   | -15 |         | 10  | dBm  |
| Audio Output Impedance                             |     | 50      |     | ohms |
| Relay contact rating                               |     |         | 10  | VA   |
| <b>Environmental</b>                               |     |         |     |      |
| Operating Temperature                              | 32  |         | 122 | °F   |
|  | 0   |         | 50  | °C   |
| Storage Temperature                                | -40 |         | 158 | °F   |
|  | -40 |         | 70  | °C   |
| Humidity (non condensing)                          |     |         | 95  | %RH  |

## Certification

CSA C22.2. 225-M90  
 DOC C108.8 Class A  
 FCC Part 68  
 FCC Part 15 Class A  
 3UL 1459-2

## Approval Number

LR65726-29  
 Approved  
 Not required  
 Approved  
 LR65726-29

## Compatible Meridian Digital Terminals:

Meridian M2006 Single Line Digital Telephone  
 Meridian M2008 Standard Business Telephone  
 Meridian M2216ACD Telephone  
 Meridian M2317 Intelligent Telephone  
 Meridian M2616 Performance-Plus Telephone  
 Meridian M7100 Single Line Digital Telephone  
 Meridian M7208 Multiple Line Digital Telephone  
 Meridian M7310 Multiple Line Digital Telephone  
 Meridian M7324 Multiple Line Digital Telephone

## Ordering Information:

MRI-320 Meridian recording interface  
 MRI-321 Cable kit  
 - 15 foot cable equipped with a female amphenol connector at one end  
 - Bix mounting bracket  
 - Bix block  
 - Cable tie  
 TAI-0704BC 24VDC power supply  
 - will power up to a quantity of 10 MRI-320s. See page 27 for more details

Beep Tone Generator available for those areas where required by law. Call for information.

## Mechanical

Dimensions (H x W x L)  
 8.75" x 1.35" x 7.5" (22.2 cm x 3.4 cm x 19.1 cm)

## Shipping Weight

2.5 lbs (1.1kg)